

## Data sheet

### Three point controlled actuators

### AMV 10, AMV 20, AMV 30

### AMV 13, AMV 23, AMV 23 SU, AMV 33 - spring return function



#### Description

The actuators with or without safety function are available for 3-point controls. The spring return actuators can be used to provide safety shut off on power failure. They are used with VS2, VM2, VB2, VMV and AVQM valves.

In addition to basic function such as manual control and position indication, the actuators are also equipped with force sensitive switch-off to ensure that actuators and valves are not exposed to overload. This function automatically ensures the self-adjustment of the end positions on the valve.

#### Main data:

- 24 V and 230 V version
- AMV 10, 13 - spindle speed 14 s/mm
- AMV 20, 23, 23 SU - spindle speed 15 s/mm
- AMV 30, 33 - spindle speed 3 s/mm
- spring return function (DIN 32730 registration).

#### Ordering

Type	Supply voltage	Code No.
AMV 10	230 V~	<b>082G3001</b>
AMV 10	24 V~	<b>082G3002</b>
AMV 20	230 V~	<b>082G3007</b>
AMV 20	24 V~	<b>082G3008</b>
AMV 30	230 V~	<b>082G3011</b>
AMV 30	24 V~	<b>082G3012</b>

#### Spring return function - DIN 32730 approval

Type	Supply voltage	Code No.
AMV 13	230 V~	<b>082G3003</b>
AMV 13	24 V~	<b>082G3004</b>
AMV 23	230 V~	<b>082G3009</b>
AMV 23	24 V~	<b>082G3040</b>
AMV 23 SU	230 V~	<b>082G3041</b>
AMV 23 SU	24 V~	<b>082G3010</b>
AMV 33	230 V~	<b>082G3013</b>
AMV 33	24 V~	<b>082G3014</b>

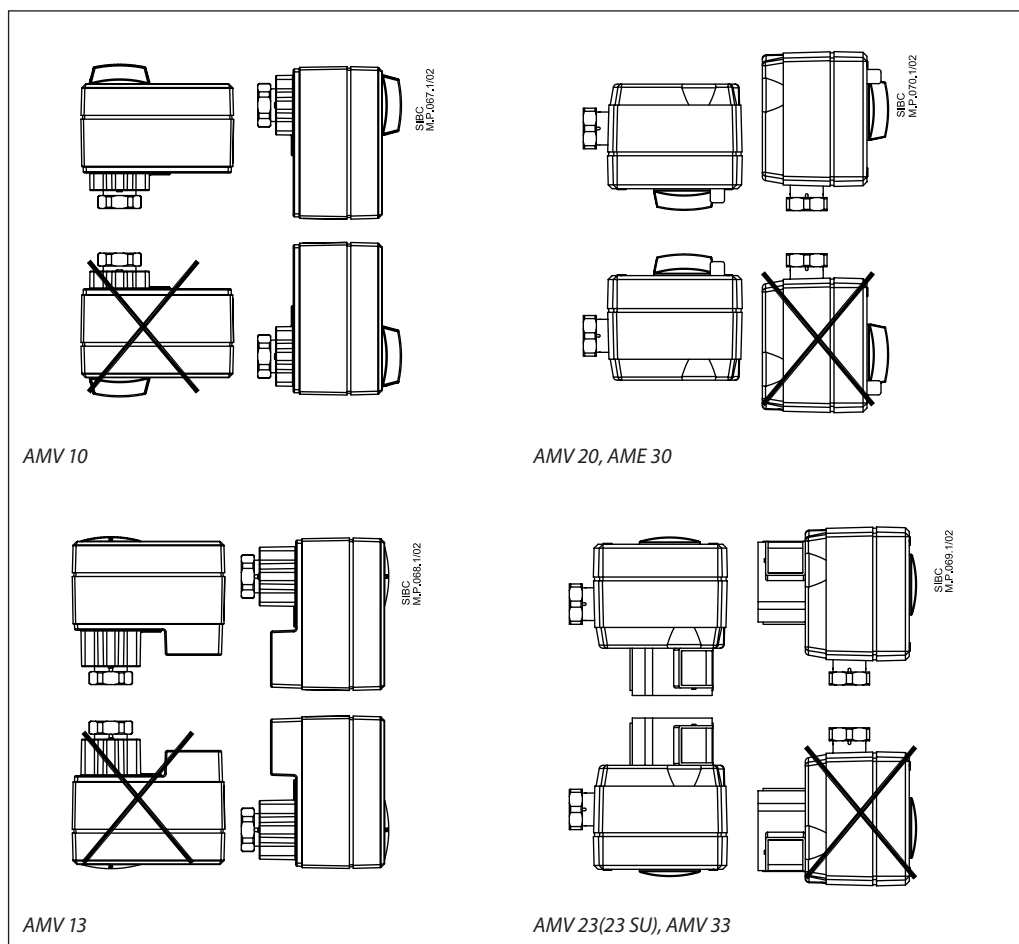
#### Accessories for AMV 20/23, AMV 30/33

Type	Code No.
Additional switch (2x)	<b>082G3201</b>
Additional switch (2x) and potentiometer (10 kΩ)	<b>082G3202</b>
Additional switch (2x) and potentiometer (1 kΩ)	<b>082G3203</b>

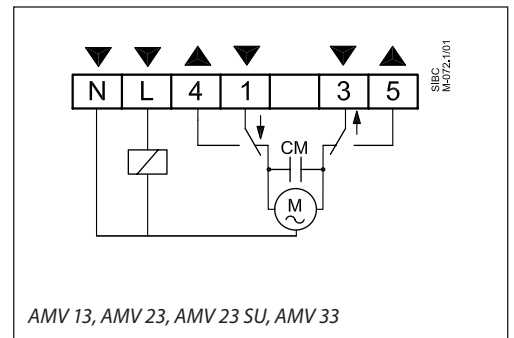
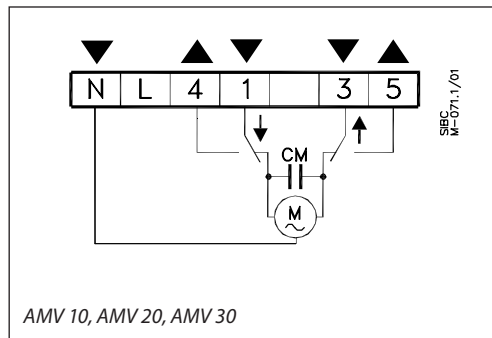
Technical data

Type	AMV 10	AMV 13	AMV 20	AMV 23, 23 SU	AMV 30	AMV 33
Power supply	24V~, 230V~; +10 ... -15%					
Power consumption	2 VA	7 VA	2 VA	7 VA	7 VA	12 VA
Frequency	50 Hz / 60 Hz					
Control input	3-point					
Spring return function	-	x	-	x	-	x
Close of force	300 N			450 N		
Max. stroke	5 mm			10 mm		
Speed	14 s/mm		15 s/mm		3 s/mm	
Max. medium temperature	130 °C			150 °C		
Ambient temperature	0 ... +55 °C					
Storage and transport temp.	-40 ... +70 °C					
Protection code	IP 54					
Weight	0.6 kg	0.8 kg	1.4 kg	1.45 kg	1.4 kg	1.45 kg
<b>CE</b> - marking in accordance with standards	EMC- Directive 2004/108/EEC: EN 60730-1, EN 60730-2-14 Low Voltage Directive 73/23/EEC: EN 60730-1, EN 60730-2-14					

Installation



Wiring



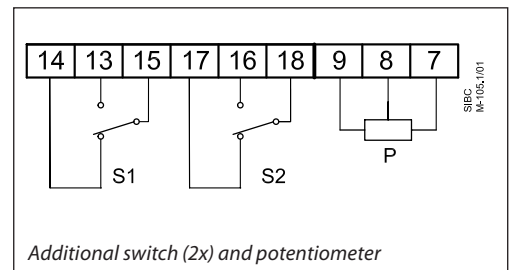
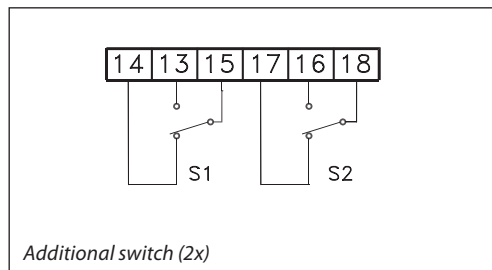
**Terminals 1, 3:**  
Control voltage input from the controller.

**L**  
Supply power 24 V~, 230 V~

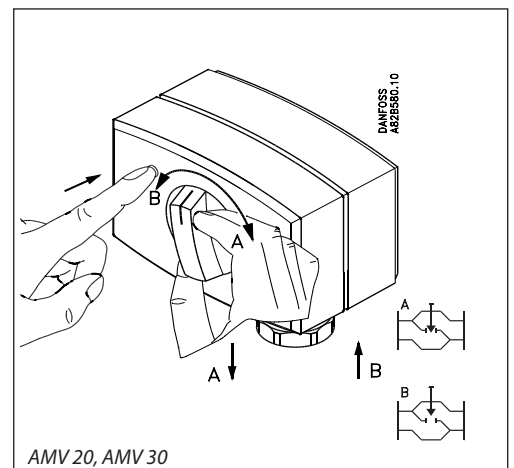
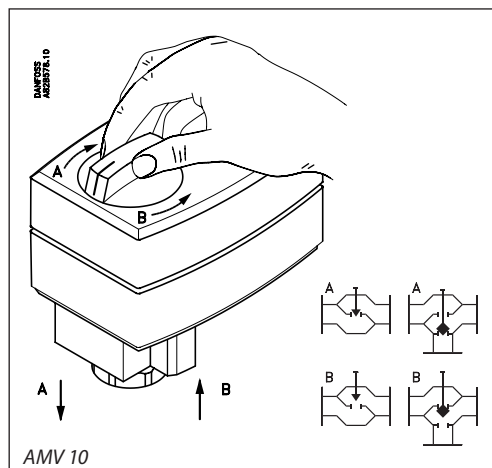
**Terminals 4, 5:**  
Output used for position indication or monitoring.

**N**  
Common (0 V)

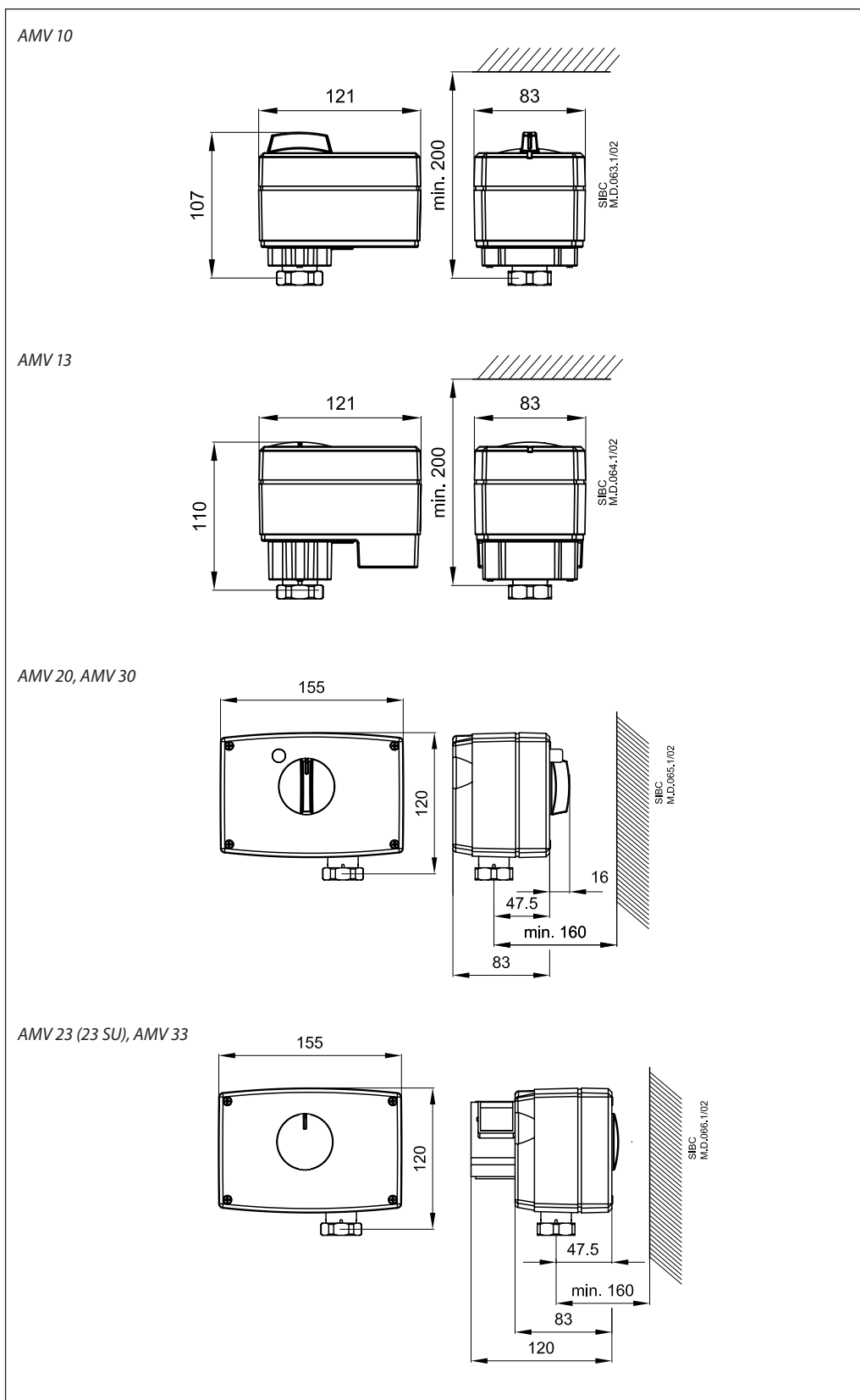
Wiring - accessories



Manual Override



Dimensions



Actuator - valve combinations

<p>AMV 10, AMV 13 + VM2 (DN 15 - 25) VS2 (DN 15 - 25)</p>	<p>AMV 10, AMV 13 + VB2 (DN 15 - 20)</p>	<p>AMV 10 + VMV (DN 15 - 40)</p>
<p>AMV 20/30, AMV 23/33 + VM2 (DN 15 - 50) VS2 (DN 15 - 25)</p>	<p>AMV 20/30, AMV 23/33 + VB2 (DN 15 - 50)</p>	<p>AMV 20/30, AMV 23/33 + AVQM (DN 15 - 50)</p>

---

Danfoss can accept no responsibility for possible errors in catalogues, brochures and other printed material. Danfoss reserves the right to alter its products without notice. This also applies to products already on order provided that such alterations can be made without subsequential changes being necessary in specifications already agreed. All trademarks in this material are property of the respective companies. Danfoss and the Danfoss logotype are trademarks of Danfoss A/S. All rights reserved.

---

